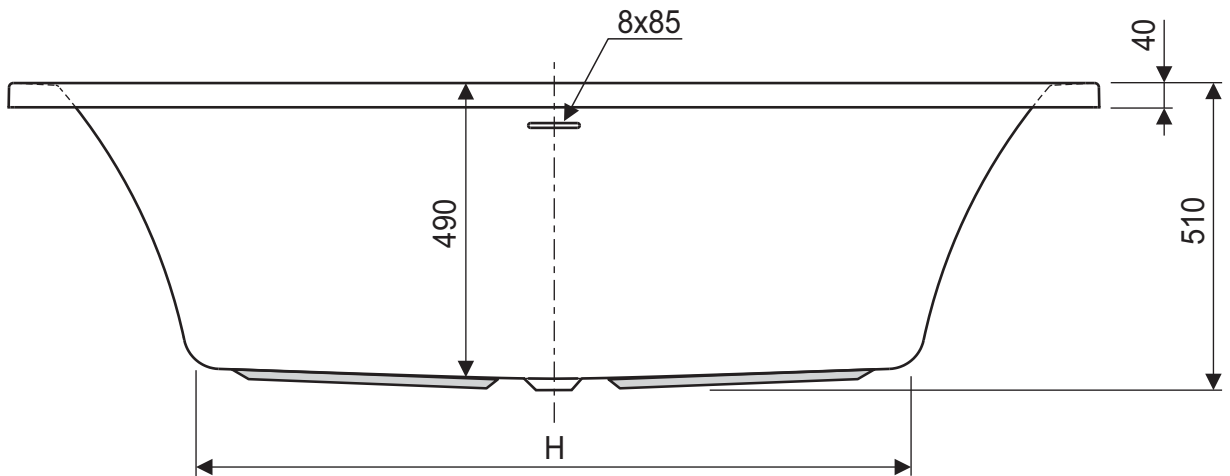
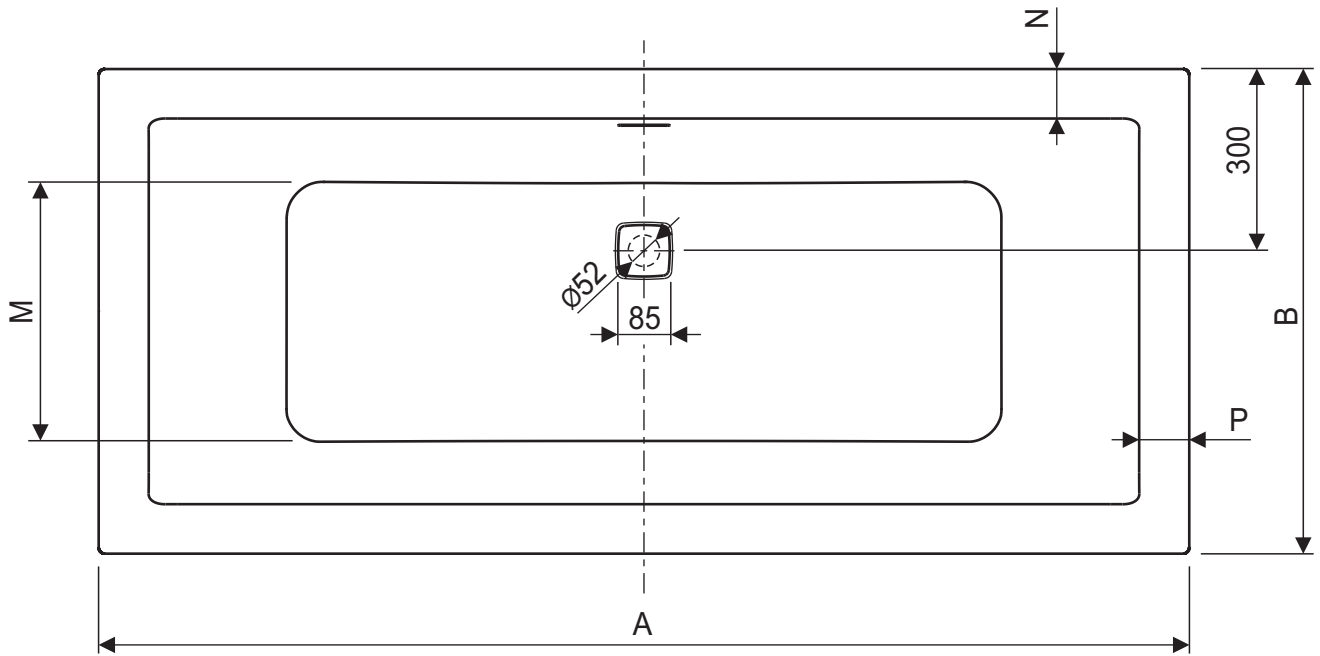


# VICTORIA



MODEL	A [mm]	B [mm]	H [mm]	M [mm]	N [mm]	P [mm]
170 x 75	1700	750	1080	420	75	75
180 x 80	1800	800	1180	425	80	80