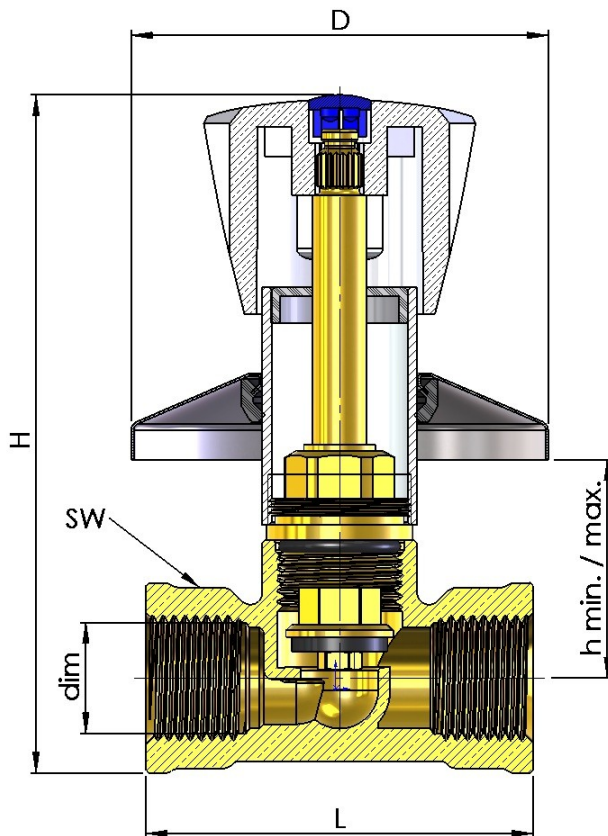


## Technical Data Sheet

Product: Built-In-Valve, both side female thread, 3-cornered handle, push-rosette

Article-No.: 00 1790 DN00 001



### Technical Data

Medium: Water  
Temperature: max. 90°C  
Circulating Pressure: max. 10 bar (PN 10)  
Materials: Body: brass  
Headpart: brass  
Gasket: EPDM (approved for drinking water)  
Handle: Zamak, chromium-plated

### Measurements

DN	15	20	25
dim	1/2"	3/4"	1"
L	65	75	90
H	112	123	138
D	ø70	ø70	ø70
SW	25	30	37
h min.	23	27	33
h max.	50	54	60