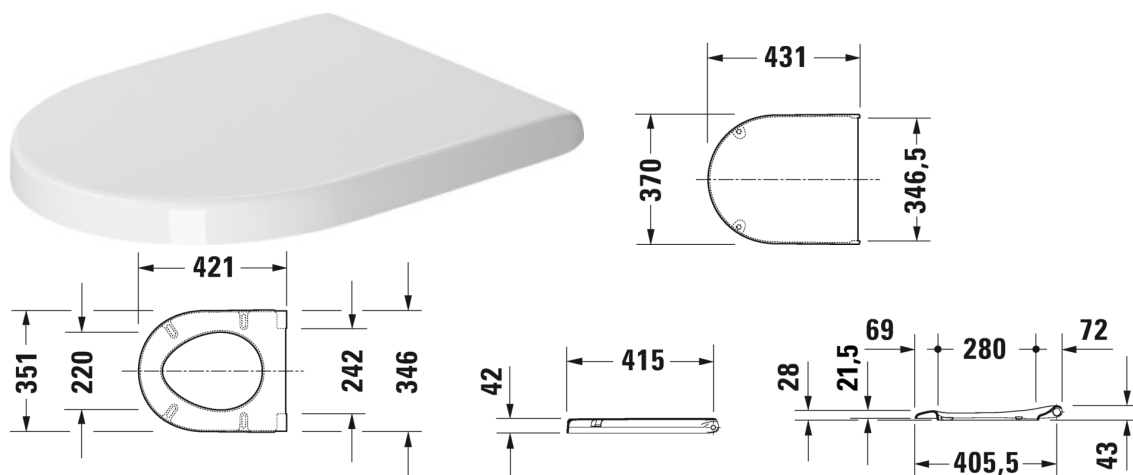


## Toilet seat and cover # 0063890000



Toilet seat and cover	Dimension	Weight	Order number
hinges stainless steel, removable, with automatic closure			
<b>Colors</b>			
00 White Alpin			
<b>Variant</b>			
		2.100 kg	0063890000
<b>Suitable products</b>			
Toilet close-coupled washdown model, (without cistern), fixings included, horizontal outlet, 360 x 655 mm	360 x 655 mm		012609
Toilet close-coupled (without cistern), washdown model, fixings included, cUPC® listed*, 360 x 655 mm	360 x 655 mm		012809
Toilet floor standing for independent water supply, washdown model, fixings included, horizontal outlet, UWL class 2, 360 x 560 mm	360 x 560 mm		012409
Toilet wall mounted washdown model, cUPC® listed*, UWL class 1, 360 x 540 mm	360 x 540 mm		220009
Toilet wall mounted Compact washdown model, cUPC® listed*, UWL class 2, 360 x 480 mm	360 x 480 mm		220209
Toilet wall mounted washdown model, Durafix included, cUPC® listed*, UWL class 1, 360 x 540 mm	360 x 540 mm		222509
Toilet wall mounted Compact washdown model, Durafix included, cUPC® listed*, UWL class 1, 360 x 485 mm	360 x 485 mm		222709
Toilet wall mounted Duravit Rimless® rimless, washdown model, Durafix included, cUPC® listed*, UWL class 1, 360 x 540 mm	360 x 540 mm		252709

Toilet seat and cover # 0063890000

---

---

*All drawings contain the necessary measurements which are subject to standard tolerances. Exact measurements, in particular for customised installation scenarios, can only be taken from the finished ceramic piece.*